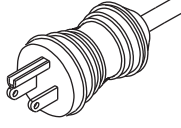
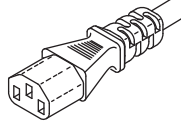
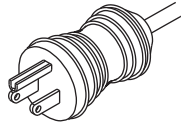
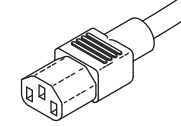
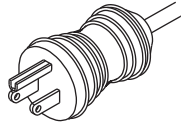
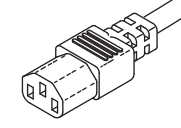
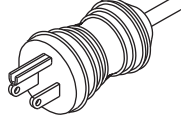
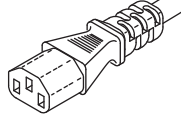
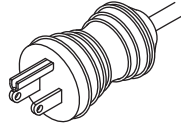
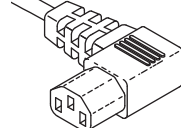
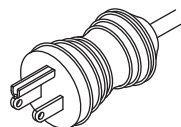
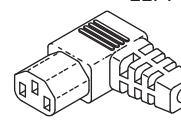
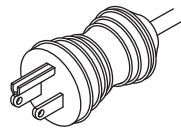
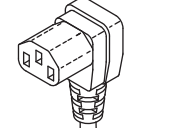




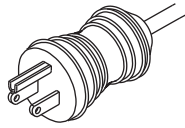
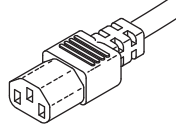
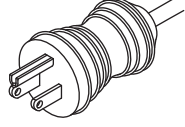
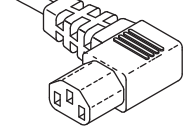
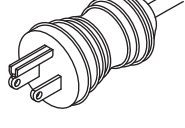
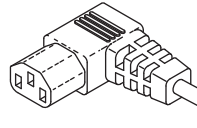
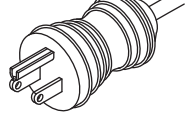
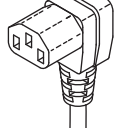
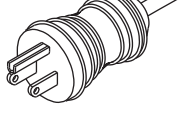

HOSPITAL AND INDUSTRIAL GRADE PLUGS AND CORDS!

HOSPITAL GRADE

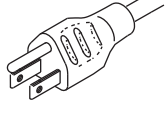
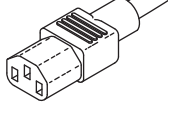
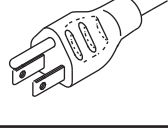

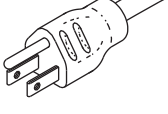
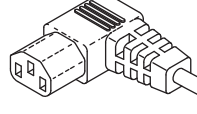
RPI PART #	LENGTH	DESCRIPTION	PLUG TYPE	CONNECTOR TYPE	COLOR / GRADE
RPC260	10 ft.	HOSPITAL GRADE POWER CORD 14/3 SJT 15A@125V	NEMA 5-15P 	EN60320-C13 	GRAY HOSPITAL GRADE
RPC554	8 ft.	HOSPITAL GRADE POWER CORD 14/3 SJT 15A@125V	NEMA 5-15P 	EN60320-C13 	GRAY HOSPITAL GRADE
RPC555	18 ft.	HOSPITAL GRADE POWER CORD 14/3 SJT 15A@125V	NEMA 5-15P 	EN60320-C13 	GRAY HOSPITAL GRADE
RPC556	25 ft.	HOSPITAL GRADE POWER CORD 14/3 SJT 15A@125V	NEMA 5-15P 	EN60320-C13 	GRAY HOSPITAL GRADE
RPC770 RPC772 RPC774	8 ft. 18 ft. 25 ft.	HOSPITAL GRADE POWER CORD 14/3 SJT 15A@125VAC	NEMA 5-15P 	EN60320-C13R RIGHT ANGLE 	GRAY HOSPITAL GRADE
RPC771 RPC773 RPC775	8 ft. 18 ft. 25 ft.	HOSPITAL GRADE POWER CORD 14/3 SJT 15A@125VAC	NEMA 5-15P 	EN60320-C13L LEFT ANGLE 	GRAY HOSPITAL GRADE
RPC776	8 ft.	HOSPITAL GRADE POWER CORD 14/3 SJT 15A@125VAC	NEMA 5-15P 	EN60320-C13D DOWN ANGLE 	GRAY HOSPITAL GRADE



HOSPITAL GRADE - continued

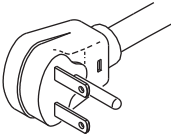
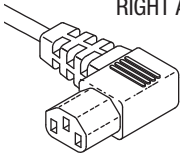
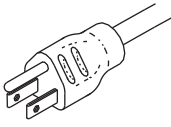
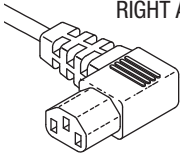
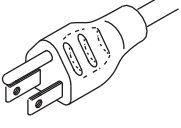
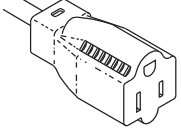
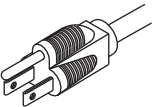
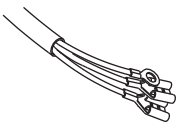
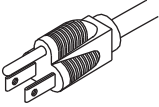
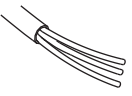
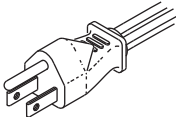
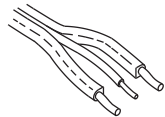
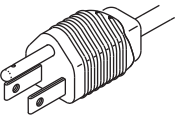
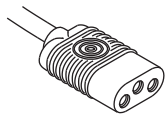
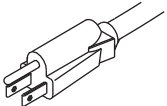
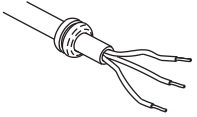
RPI PART #	LENGTH	DESCRIPTION	PLUG TYPE	CONNECTOR TYPE	COLOR / GRADE
RPC557 RPC558 RPC559	8 ft. 18 ft. 25 ft.	HOSPITAL GRADE POWER CORD 16/3 SJT 13A@125V	NEMA 5-15P 	EN60320-C13 	GRAY HOSPITAL GRADE
RPC778 RPC780 RPC782 RPC784 RPC786	1.5 ft. 3 ft. 8 ft. 18 ft. 25 ft.	HOSPITAL GRADE POWER CORD 16/3 SJT 13A@125VAC	NEMA 5-15P 	EN60320-C13R RIGHT ANGLE 	GRAY HOSPITAL GRADE
RPC779 RPC781 RPC783 RPC785 RPC787	1.5 ft. 3 ft. 8 ft. 18 ft. 25 ft.	HOSPITAL GRADE POWER CORD 16/3 SJT 13A@125VAC	NEMA 5-15P 	EN60320-C13L LEFT ANGLE 	GRAY HOSPITAL GRADE
RPC788	8 ft.	HOSPITAL GRADE POWER CORD 16/3 SJT 13A@125VAC	NEMA 5-15P 	EN60320-C13D DOWN ANGLE 	GRAY HOSPITAL GRADE
RPC028	10 ft.	HOSPITAL GRADE POWER CORD 18/3 SJT 10A@125V	NEMA 5-15P 	NONE  .328" OD CORD	GRAY HOSPITAL GRADE

INDUSTRIAL GRADE

RPI PART #	LENGTH	DESCRIPTION	PLUG TYPE	CONNECTOR TYPE	COLOR / GRADE
RPC262	10 ft.	POWER CORD 14/3 SJT 15A@125V	NEMA 5-15P 	EN60320-C13 	BLACK INDUSTRIAL GRADE
RPC288	7 ft.	POWER CORD 14/3 SJT 15A@125V	NEMA 5-15P 	WITH TERMINALS  .378" OD CORD	BLACK INDUSTRIAL GRADE
RPC291	6 ft.	POWER CORD 14/3 SJT 15A@125V	NEMA 5-15P 	EN60320-C13L LEFT ANGLE 	BLACK INDUSTRIAL GRADE



INDUSTRIAL GRADE - continued

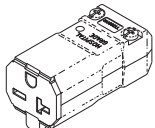
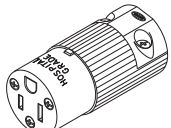
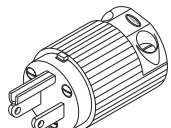
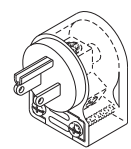
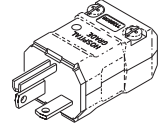
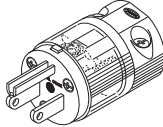
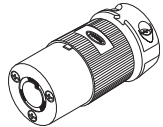
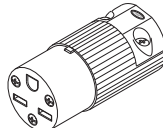
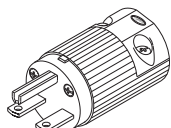
RPI PART #	LENGTH	DESCRIPTION	PLUG TYPE	CONNECTOR TYPE	COLOR / GRADE
RPC582	12 ft.	POWER CORD 14/3 SJT 15A@220V	NEMA 6-15P 	EN60320-C13R RIGHT ANGLE 	BLACK INDUSTRIAL GRADE
TUC028	12 ft.	POWER CORD 14/3 SJT 15A@125V	NEMA 5-15P 	EN60320-C13R RIGHT ANGLE 	BLACK INDUSTRIAL GRADE
BUC018	8 ft.	POWER CORD 16/3 SJT 13A@125V	NEMA 5-15P 	NEMA 5-15R 	BLACK INDUSTRIAL GRADE
PCC003	8 ft.	POWER CORD 16/3 HSJO 15A@125V	NEMA 5-15P 	WITH TERMINALS  .350" OD CORD	BLACK INDUSTRIAL GRADE
PCC004	8 ft.	POWER CORD 16/3 HSJO 15A@125V	NEMA 5-15P 	NONE  .350" OD CORD	BLACK INDUSTRIAL GRADE
RPC274	6 ft.	POWER CORD 16/3 SPT-2 13A@125V	NEMA 5-15P 	NONE  .158" x .380" FLAT CORD	BLACK INDUSTRIAL GRADE
BUC017	8 ft.	POWER CORD 18/3 SJT 7A@125V	NEMA 5-15P 	BMI-3 	GRAY INDUSTRIAL GRADE
CAC015	8 ft.	POWER CORD 18/3 SJTW 10A@125V	NEMA 5-15P 	NONE  .328" OD CORD	BLACK INDUSTRIAL GRADE



Hubbell® Brand Plugs and Connectors or Alternate Products - It's Your Choice!

The choice is yours. RPI is pleased to provide you with an option for your plug and connector requirements by offering top-of-the-line Hubbell products, as well as a quality, lower cost alternative for each plug and connector configuration. The alternate products that we offer are manufactured by reputable companies such as Woodhead and Marincó®. It's the RPI Advantage!

Please note: Illustrations show Hubbell part, alternate product may vary slightly in attributes and appearance.

	RPI PART # (MADE BY HUBBELL)	RPI PART # (ALTERNATE PRODUCT)	PLUG/CONNECTOR TYPE	
HOSPITAL GRADE	RPC585	RPC591	HOSPITAL GRADE FEMALE CONNECTOR • 20A@250VAC • Accepts .300" dia. to .660" dia. cord • NEMA 6-20R	
	RPC599	RPC031	HOSPITAL GRADE FEMALE CONNECTOR • 15A@125VAC • Accepts .325" dia. to .720" dia. cord • NEMA 5-15R	
	RPP029	RPP596	HOSPITAL GRADE MALE PLUG • 15A@125VAC • Accepts .230" dia. to .720" dia. cord • NEMA 5-15P	
	RPP032	RPP597	HOSPITAL GRADE MALE PLUG (RIGHT ANGLE) • 15A@125VAC • Accepts .255" dia. to .665" dia. cord • NEMA 5-15P • Transparent housing	
	RPP584	RPP590	HOSPITAL GRADE MALE PLUG • 20A@250VAC • Accepts .300" dia. to .660" dia. cord • NEMA 6-20P	
	RPP598	RPP030	HOSPITAL GRADE MALE PLUG • 15A@125VAC • Accepts .230" dia. to .720" dia. cord • NEMA 5-15P • Transparent housing	
INDUSTRIAL GRADE	RPC587	RPC593	FEMALE CONNECTOR (LOCKING) • 20A@250VAC • Accepts .360" dia. to .930" dia. cord • NEMA L6-20R	
	RPC589	RPC595	FEMALE CONNECTOR • 15A@250VAC • Accepts .230" dia. to .720" dia. cord • NEMA 6-15R	
	RPP588	RPP594	MALE PLUG • 15A@250VAC • Accepts .230" dia. to .720" dia. cord • NEMA 6-15P	
	RPP586	RPP592	MALE PLUG (LOCKING) • 20A@250VAC • Accepts .360" dia. to .930" dia. cord • NEMA L6-20P	