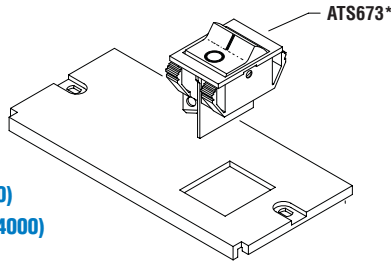


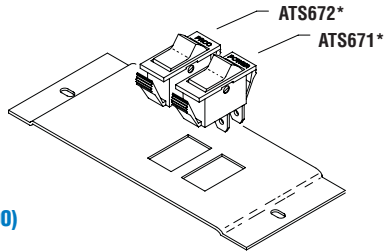
SWITCHES TO FIT AIR TECHNIQUES PERI-PRO (90000), PERI-PRO II (91000) & PERI-PRO III (94000)

PERI-PRO (90000), PERI-PRO II (91000) & PERI-PRO III (94000)



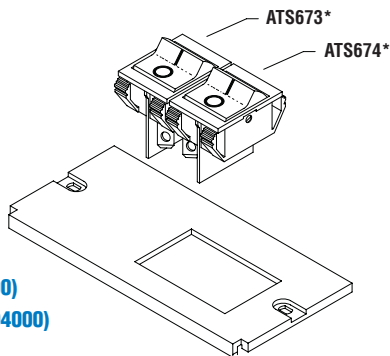
*Peri-Pro S/N #15000 and above & Peri-Pro II S/N #15143 and above

PERI-PRO II (91000)

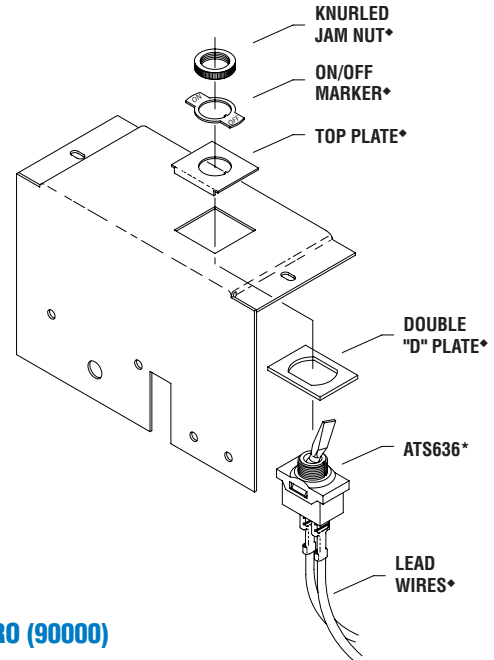


*Peri-Pro II S/N #15142 and below

PERI-PRO II (91000) & PERI-PRO III (94000)



*Peri-Pro II S/N #15143 and above



PERI-PRO (90000)

*Peri-Pro S/N #14999 and below

♦ Included in Power Switch Assembly (RPI Part #ATS636)

RPI PART #	OEM PART #	DESCRIPTION	PKG QTY	PERI-PRO			NOTES
				I	II	III	
ATS636	90221	POWER SWITCH ASSEMBLY	1	1			<ul style="list-style-type: none"> • Black toggle • SPST • 10A@250VAC; 20A@125VAC • Includes mounting hardware (see Footnote ♦ above)
ATS671	116521	PROCESS SWITCH	1		2		<ul style="list-style-type: none"> • Panel cutout: .483" x 1.075" • SPST (on/off) rocker switch; 1/4" tabs • 16A@125/250VAC • Color: white body • Legend: "PROC" marked on bezel
ATS672	116520	POWER SWITCH	1		2		<ul style="list-style-type: none"> • Panel cutout: .483" x 1.075" • SPST (on/off) rocker switch; 1/4" tabs • 16A@125/250VAC • Color: white body • Legend: "POWER" marked on bezel
ATS673	94269 (Black)	POWER SWITCH (AMBER) <i>Note: Regarding the Peri-Pro II only – This black Power Switch (Black) replaces the OEM white Power Switch (OEM Part #90262).</i>	1	3	4	•	<ul style="list-style-type: none"> • Panel cutout: .880 x 1.080" • SPST (on/off) rocker switch; 1/4" tabs • 20A@125VAC • Color: illuminated amber lens; black body • Legend: I/O
ATS674	94977 (New) 94266 (Old)	PROCESS SWITCH (GREEN)	1		4	•	<ul style="list-style-type: none"> • Panel cutout: .880 x 1.080" • SPST (on/off) rocker switch; 1/4" tabs • 20A@125VAC; 28V lamp indicator • Color: illuminated green lens; black body • Legend: I/O

1 = Peri-Pro Serial #14999 and below
3 = Peri-Pro Serial #15000 and above

2 = Peri-Pro II Serial #15142 and below
4 = Peri-Pro II Serial #15143 and above



replacement parts industries, inc.

CALL (800) 221-9723 • FAX (818) 882-7028 • EMAIL order@rpiparts.com • WEBSITE www.rpiparts.com

The above parts are manufactured by Replacement Parts Industries, Inc. to fit Air Techniques equipment. All product names used in this document are trademarks or registered trademarks of their respective holders. WEB 02/09